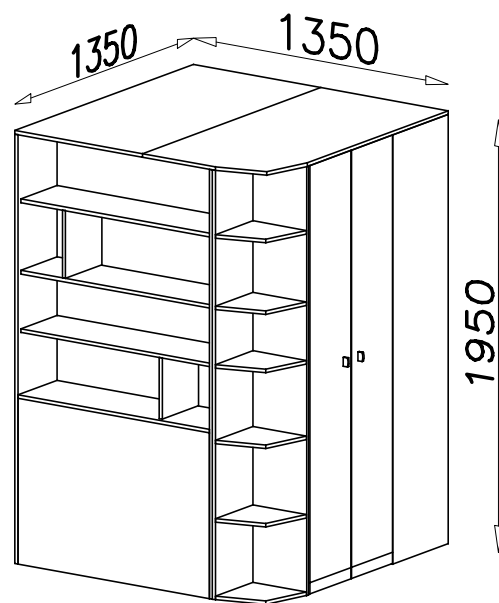
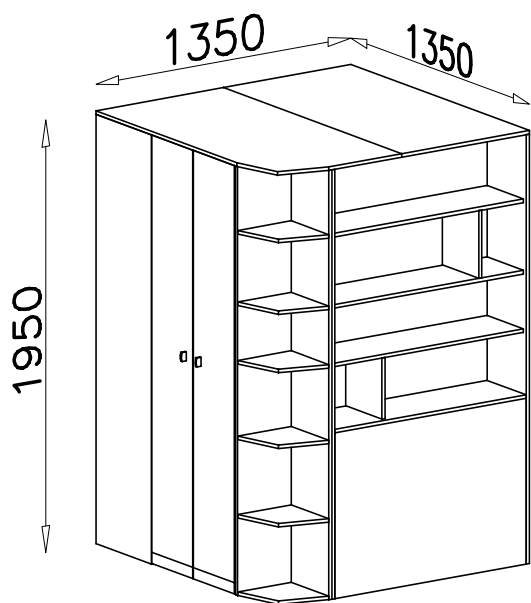
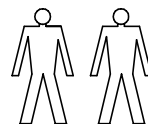
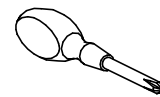
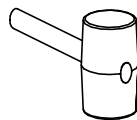
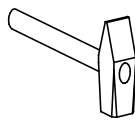
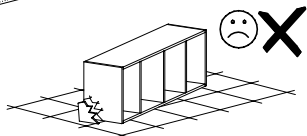
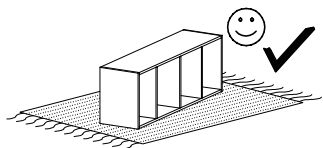
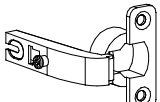
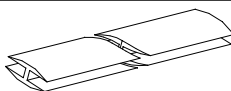
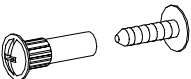

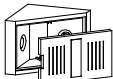
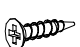
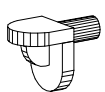

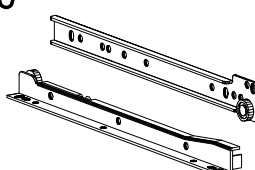

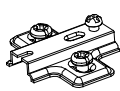
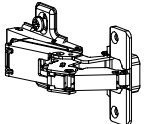
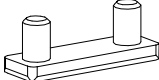
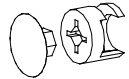


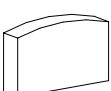
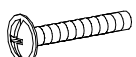
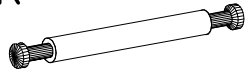
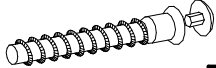

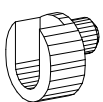
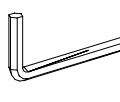

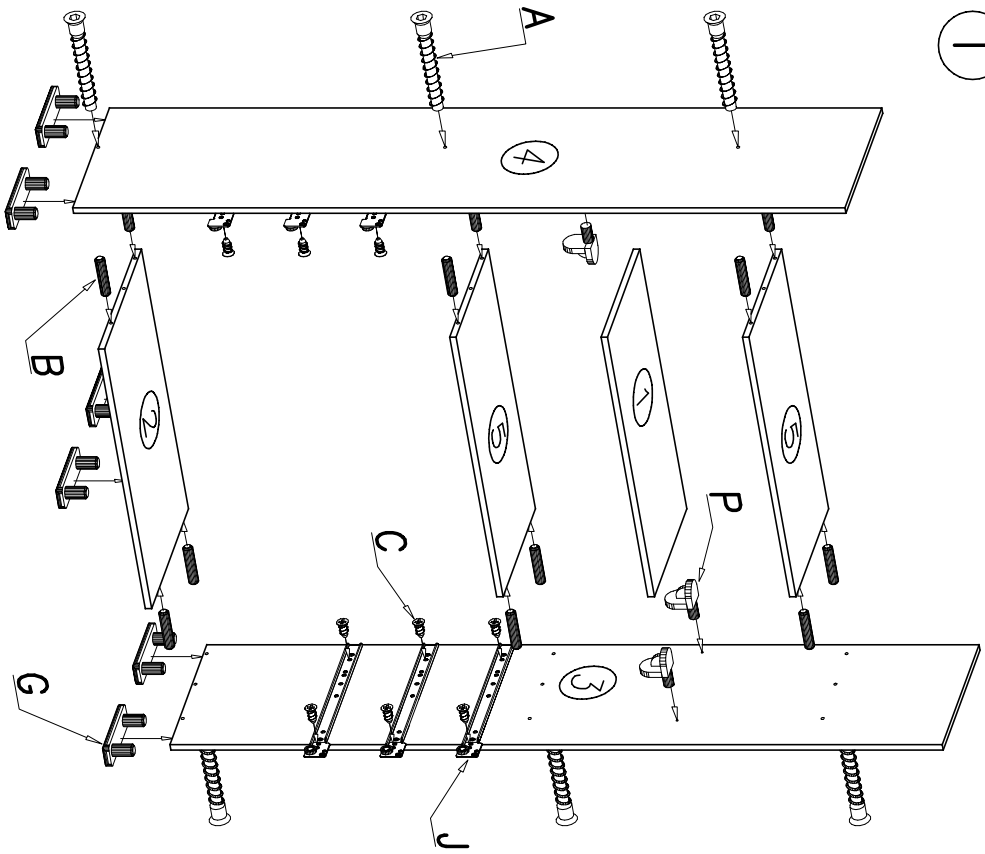


TABLO TA 1

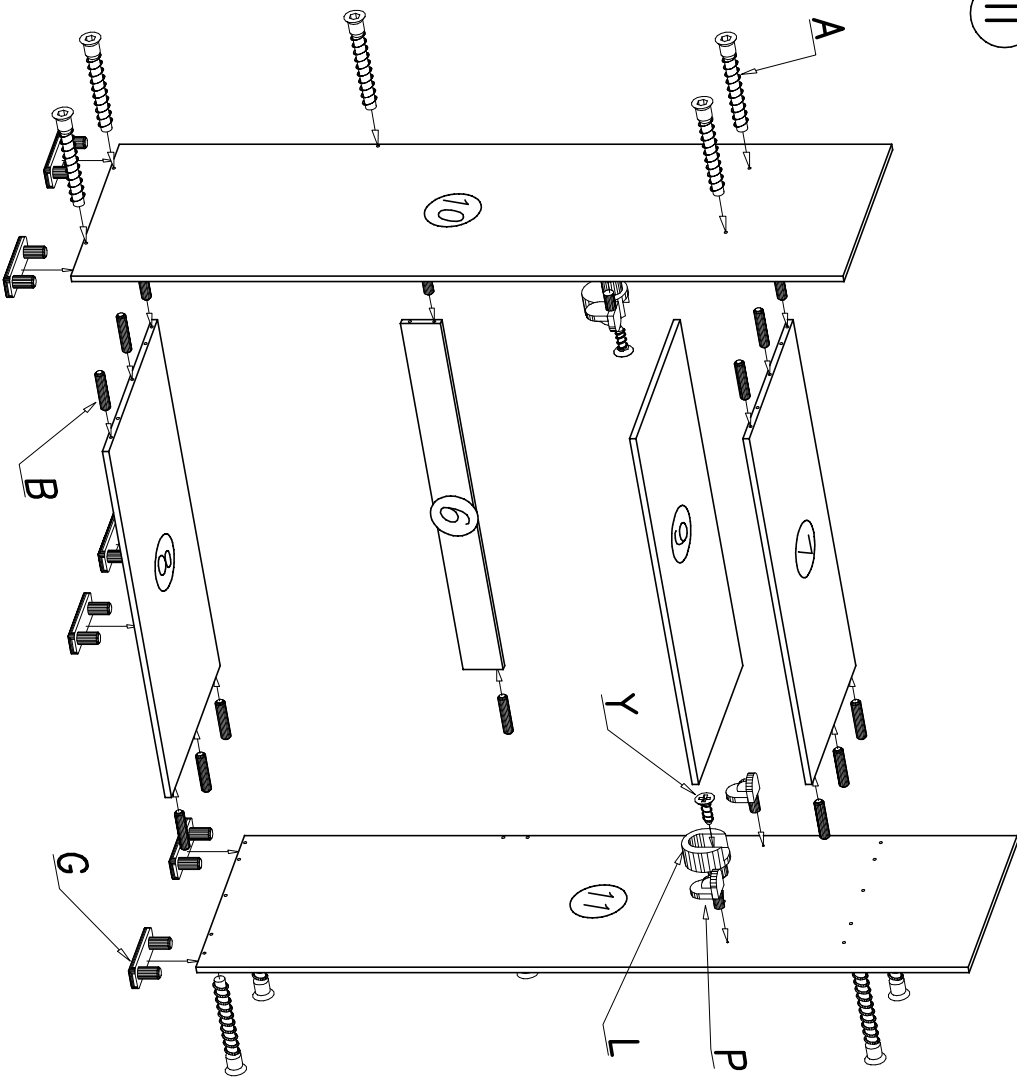


M  x3	H  1910mm x2	V  x2	X  1,6 x 16 x60	Q  x1
Y  3 x 13 x2	P  x18	T  4 x 16 x32	J  35cm x3	C  6 x 13 x12
F  x3	D  x3	G  x22	K  x6	
W  GLUE KLEJ x7	E  3 x 20 x150	U  x2	N  M4 x 22 x4	R  x3
A  x56	B  x136	L  x2	Z  x1	S  1004mm x1

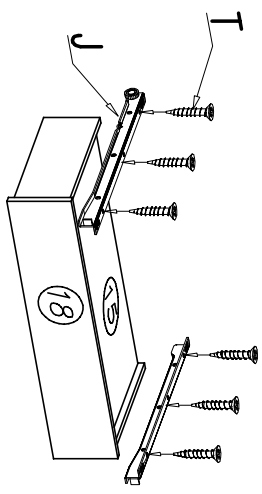
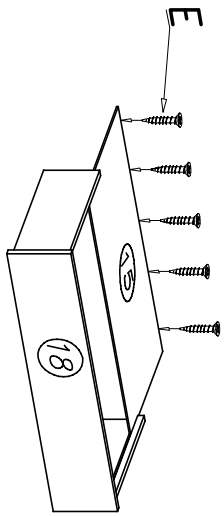
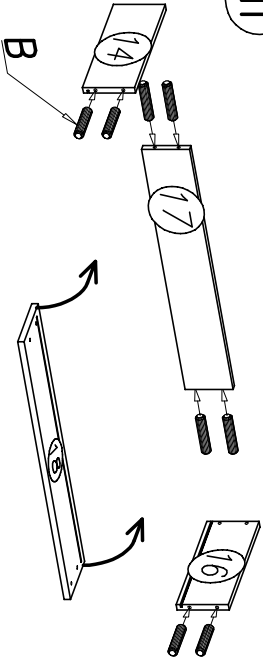
I



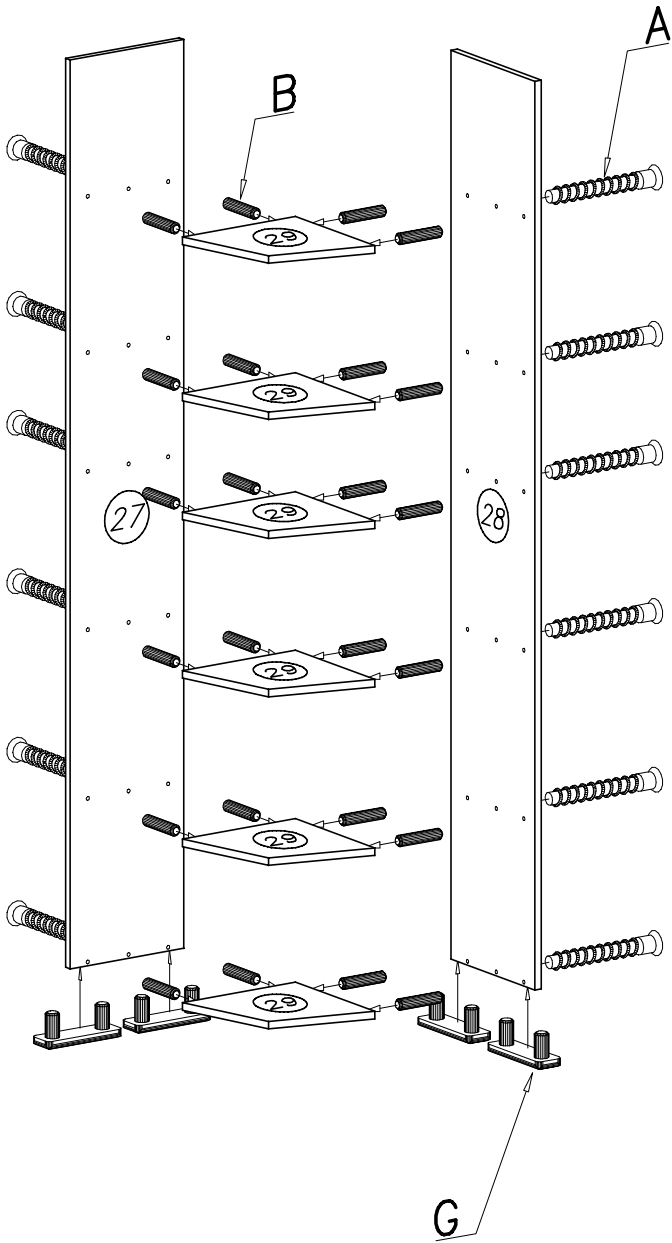
II



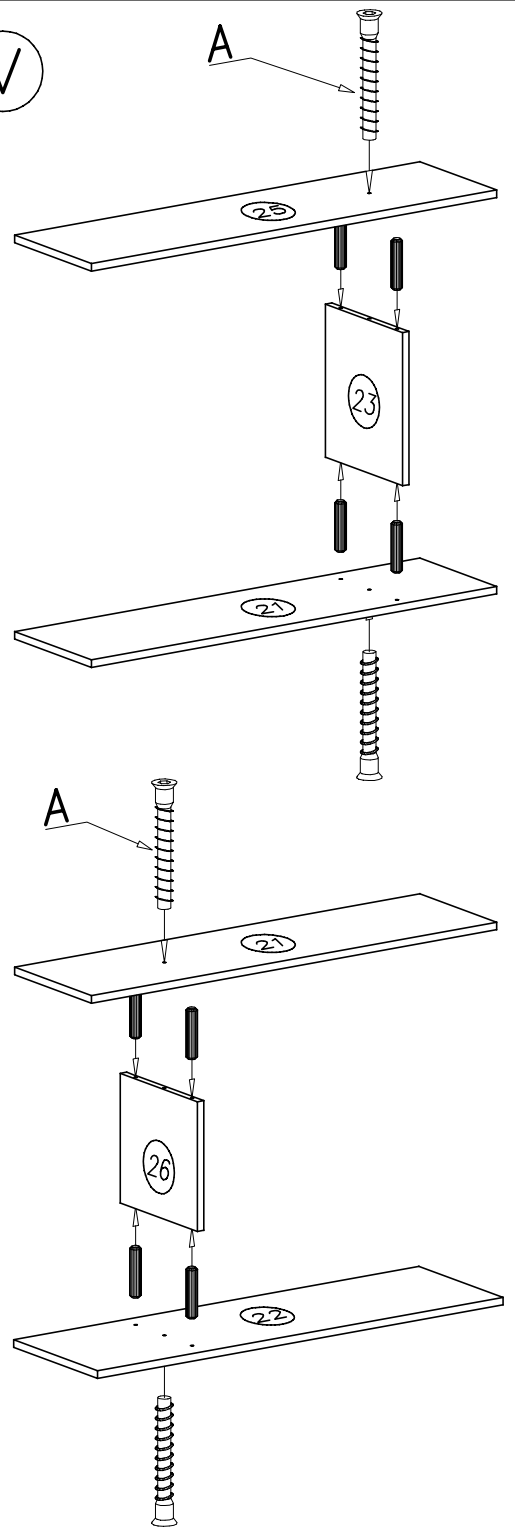
III



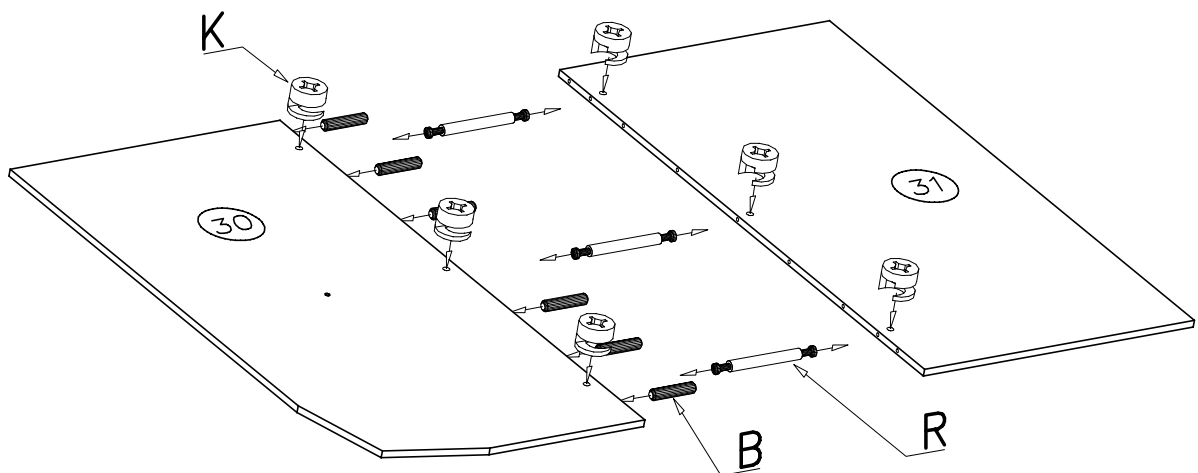
IV



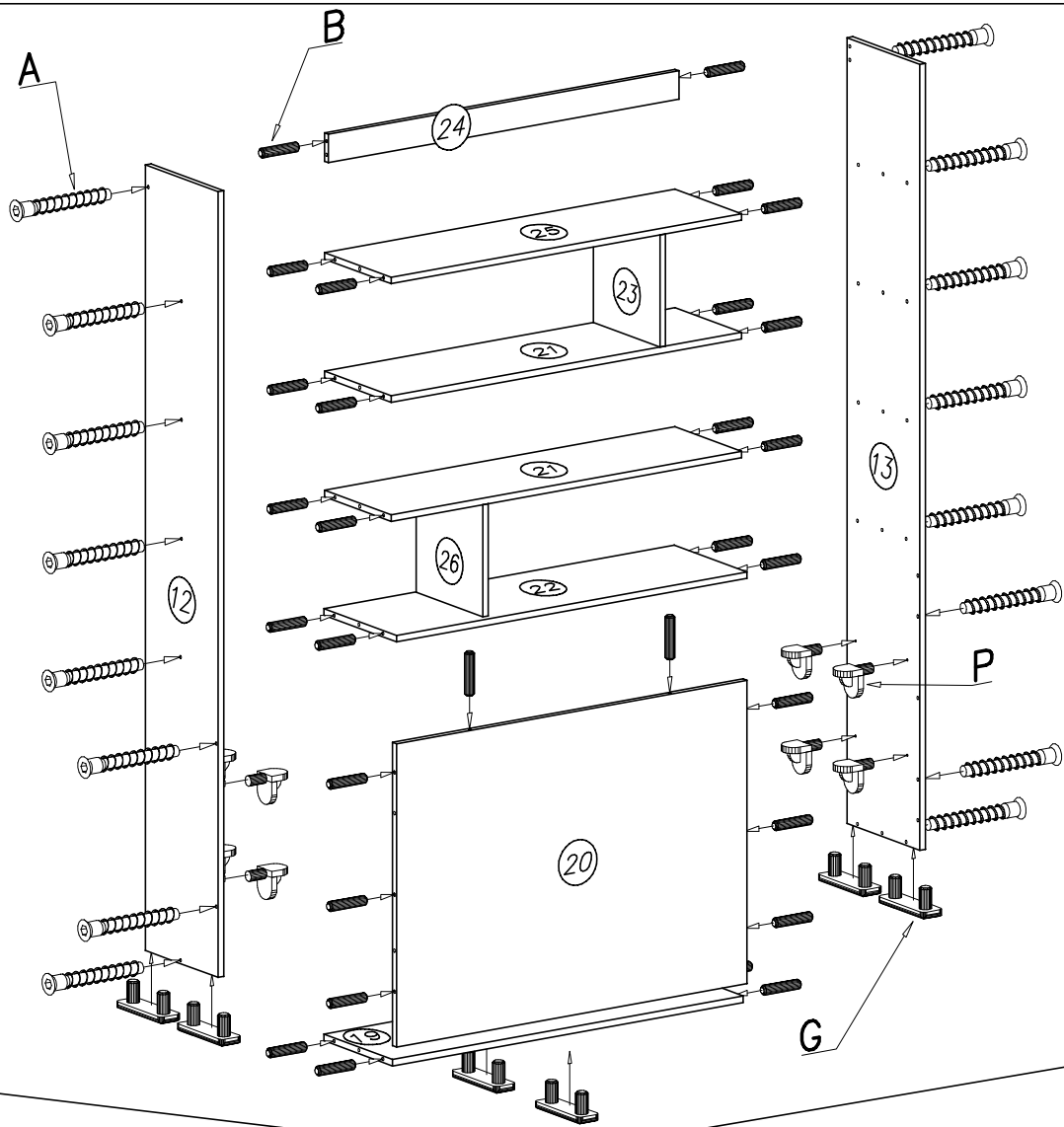
V



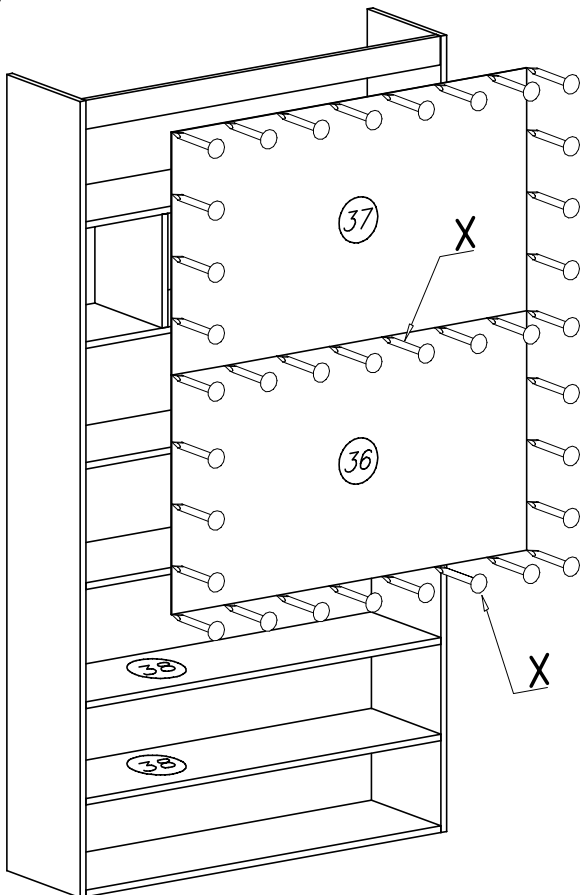
VI



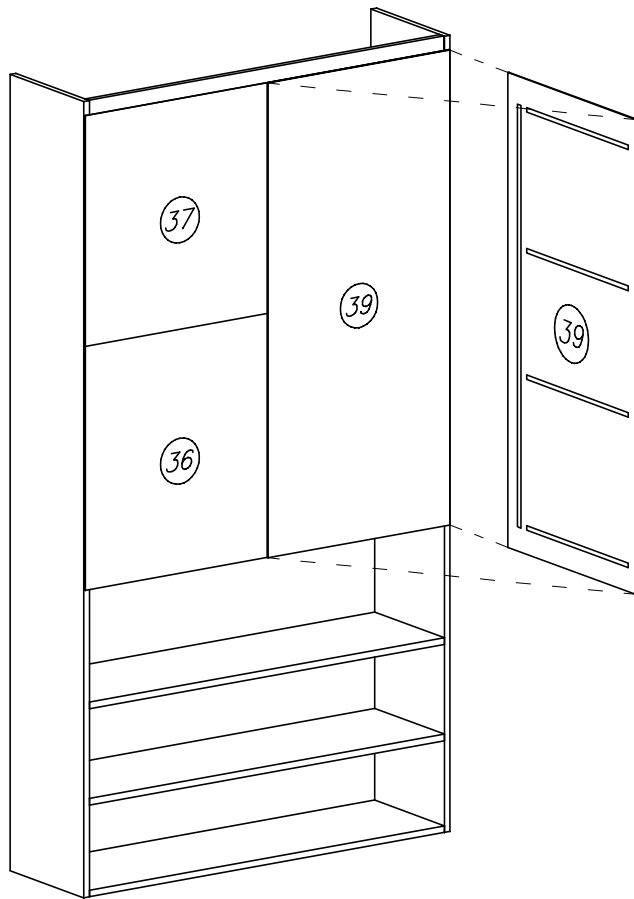
VII



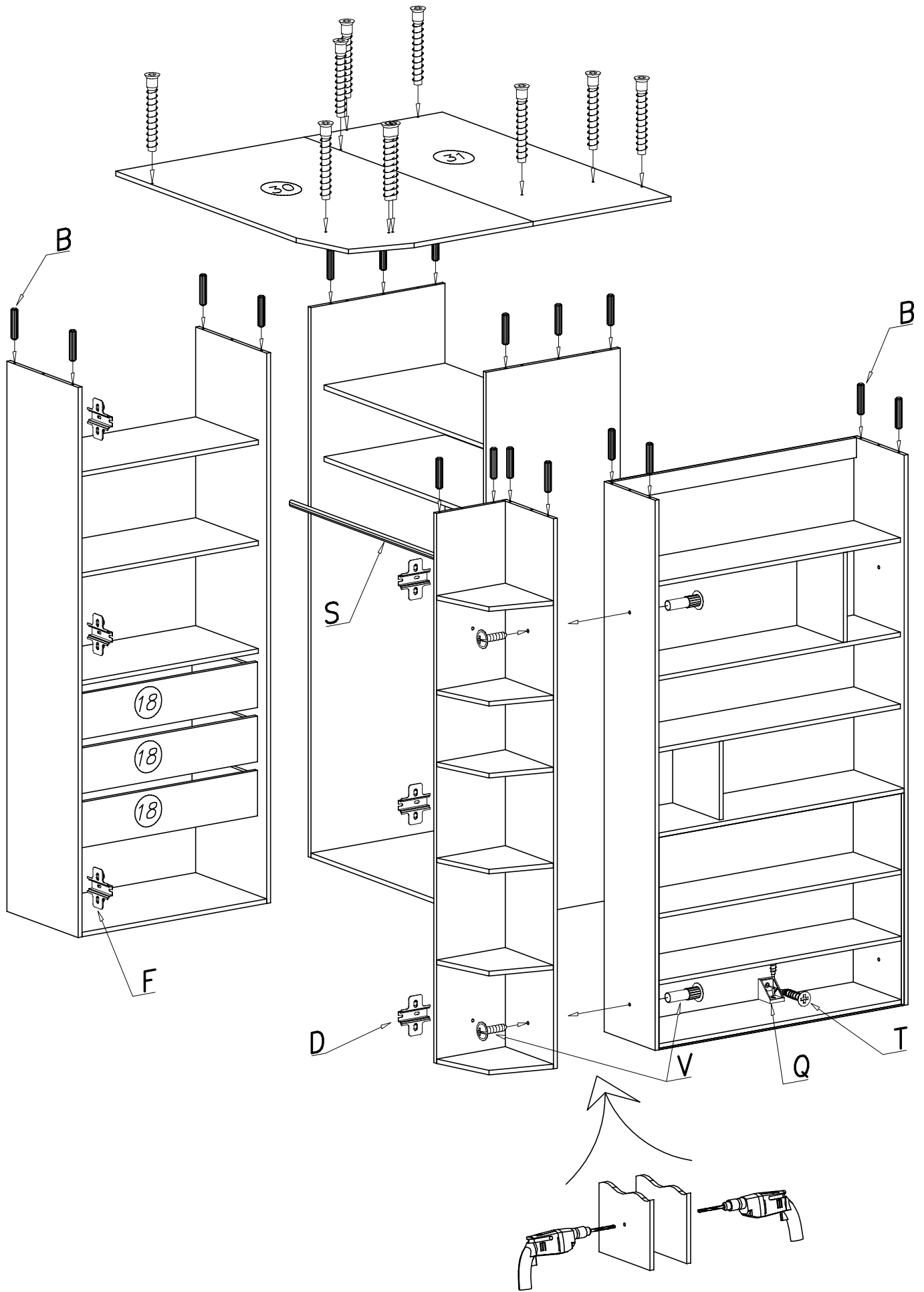
VIII



IX



X



(XI)

