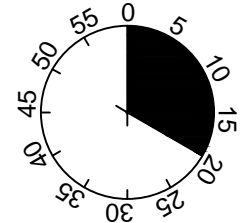
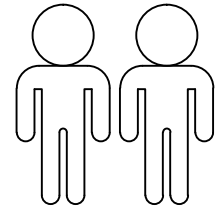
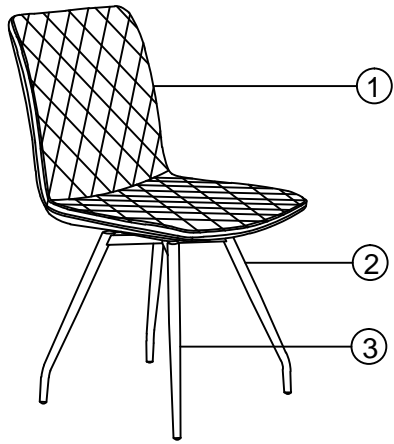


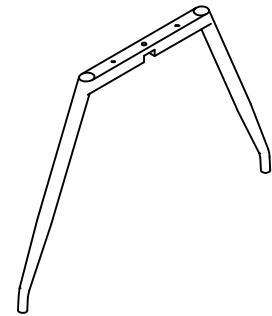
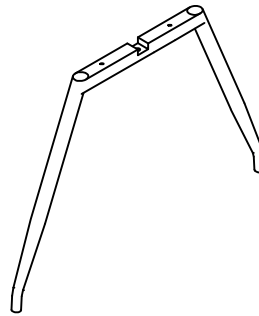
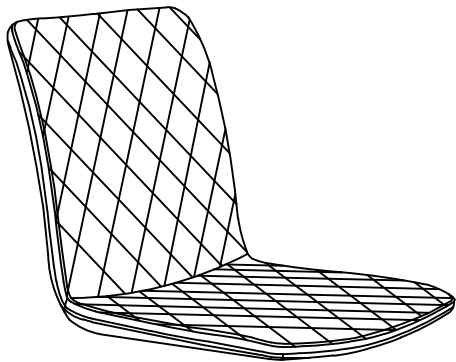
# Tatjana



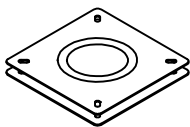
1

2

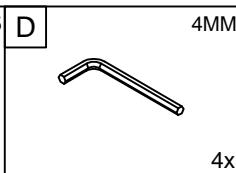
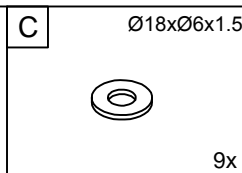
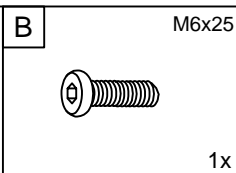
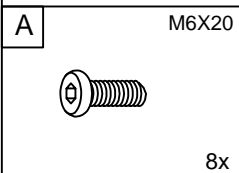
3



4

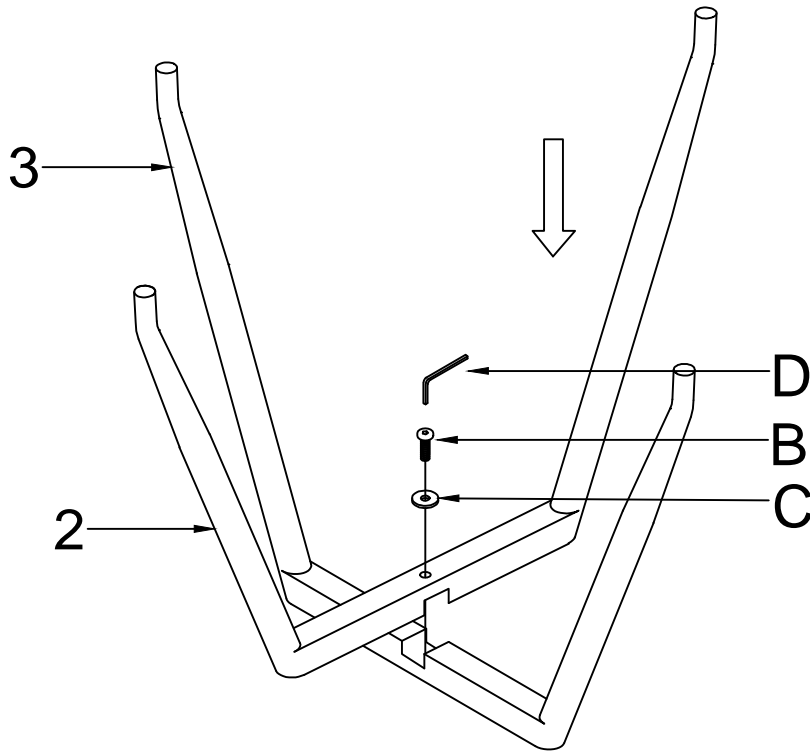


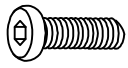

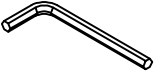

1	1 x
2	1 x
3	1 x
4	1 x



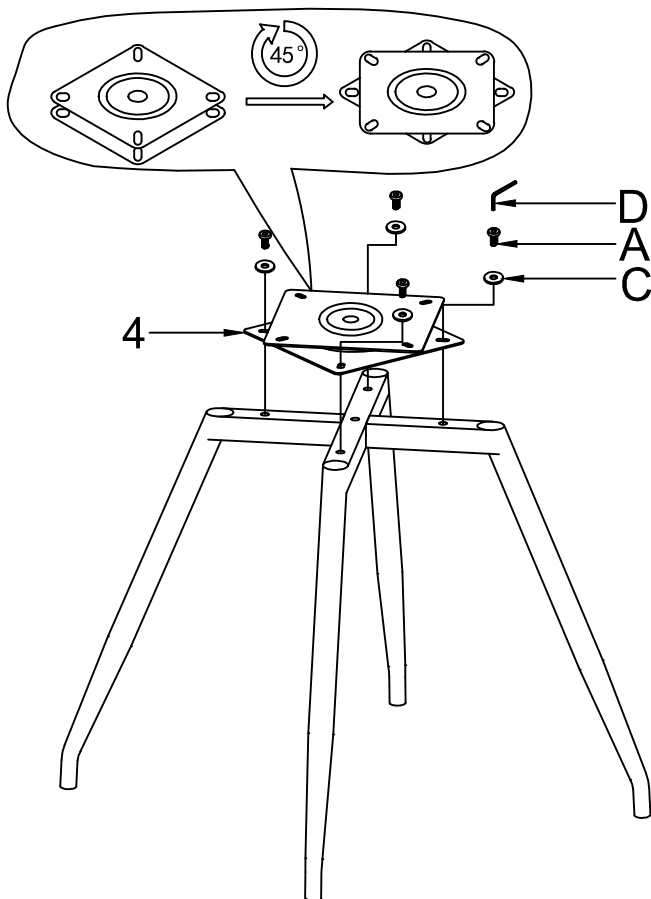
I.

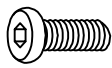



1



B	M6x25
	1x
C	Ø18xØ6x1.5
	1x
D	4MM
	1x
	

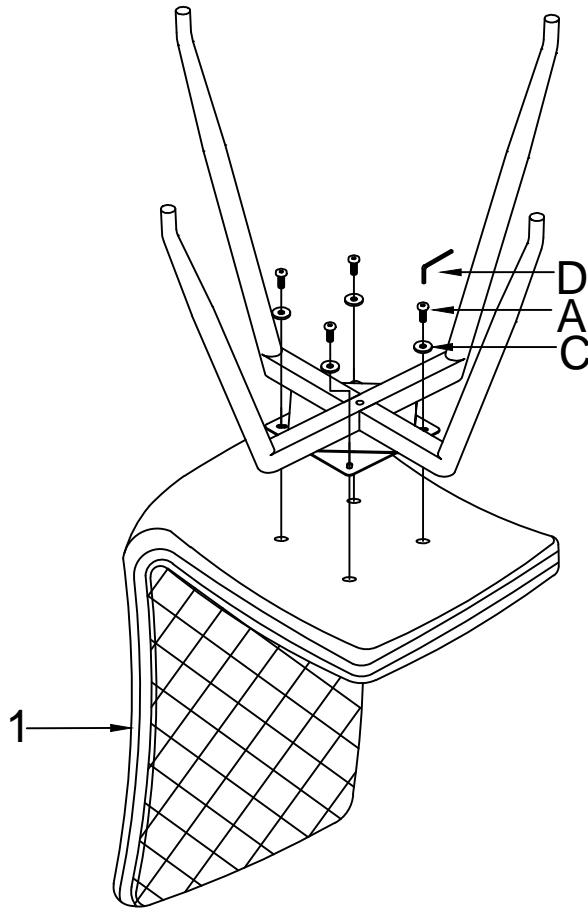
2

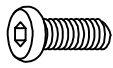

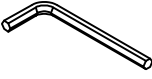



A	M6X20
	4x
C	Ø18xØ6x1.5
	4x
D	4MM
	1x
	

II.

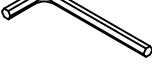
3



A	M6X20
	4x
C	Ø18xØ6x1.5
	4x
D	4MM
	1x
	

4



D	4MM
	1x
